



## MODEL T125C

CLASS: Submersed and Transfer

CONSTRUCTION: Carbon Steel

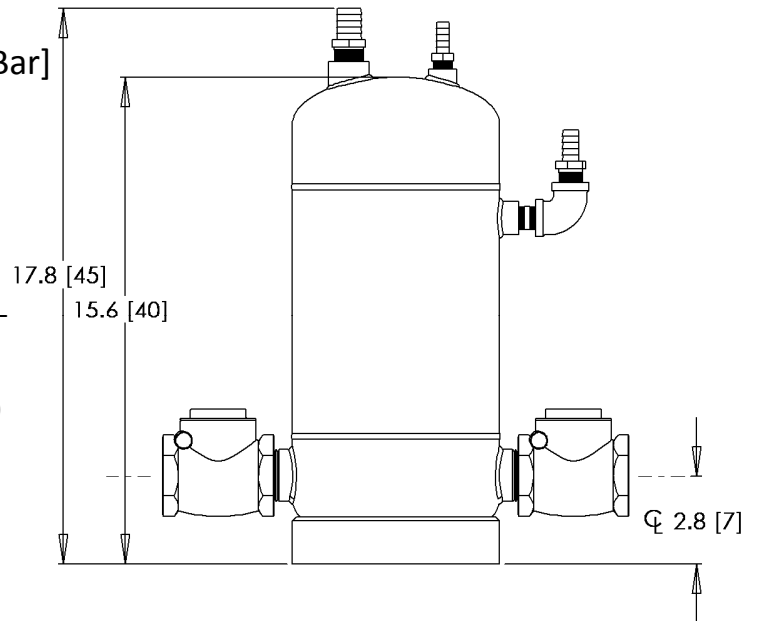
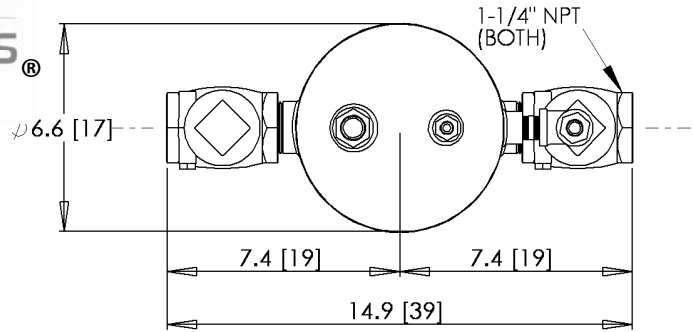
CAPACITY: 0-14 gpm [53 lpm]

DISCHARGE PRESSURE: 0-100 psi [6.9 Bar]

MAX SOLID: 1" [2.5 cm]

### CONFIGURATION OPTIONS

- ALL-PNEUMATIC CONTROL (XP/explosion-proof and remote locations)
- ELECTRO-PNEUMATIC CONTROL (non-XP)
- GRAVITY FILLED
- FLOW INDUCED (vacuum assisted fill)
- HIGH TEMPERATURE (212F/100C)



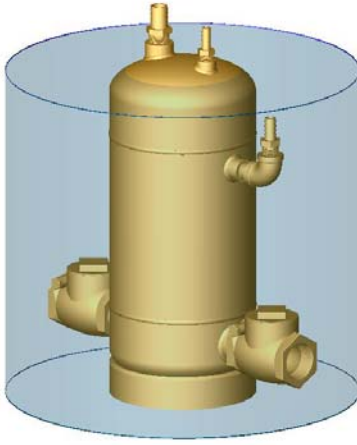
### APPLICATION EXAMPLES

Small sumps, remote sink drains, lab sumps, hot fluids, evaporator condensate, distiller condensate, knock-out pots, machining coolant and chips, remote compressor stations, boiler blow down, solvents/oils.

### QUICK SPECS

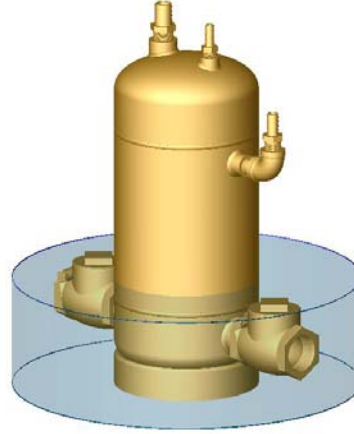
- Weight: 33 lbs [15 kg]
- Stroke Volume: 1.4 gal [5.3 l]
- Operating Levels: 'Flow Induced' - 6" [15 cm], 'Gravity' - 14" [36 cm] (see reverse side for explanation)
- Panel Required: either AP212, AP300 or EP250

**See reverse side for Specification Details, Flow Curve and Air Consumption**



**Gravity operation**  
requires an operating level equal to the top of the pump (appr 14”).

No compressed air is required for the fill stroke.



**F2L flow induction** uses a compressed air powered, vacuum generator mounted to the exhaust valve of the control panel. It applies vacuum to the pump during the fill stroke to lower the operating level (to appr. 6”).

\*see note below chart for additional air consumption

**To specify a pump select a control panel (required).  
Metal to metal valve seats (brass) and nitrile (std)  
15 ft airlines are provided.**

Part# T125C/---  
↙

**PANEL OPTIONS**

- AP212G2 = all-pneumatic, gravity fed (use for transfer duty)
- AP300G2 = all-pneumatic, gravity fed.
- EP250G2 = electro-pneumatic, gravity fed.
- AP300F2L = all-pneumatic, low vacuum flow induced.
- EP250F2L = electro-pneumatic, low vacuum flow induced.

**Example:**

T125C/AP300G2 = 1-1/4” steel submersible pump with brass seats, AP300G2 control panel.

**Panel Requirements:** Compressed air or dry gas, unlubricated, recommended 80 psi delivered through 1/2” pipe or equal (applies to all panels).

EP250 panels also require 110 vac (<1 A).

AP300G2 Panel



**MAXIMUM FLOW CURVE**

with air consumption in SCFM (gravity mode)

HEAD	meters									
220 ft	67.1	3.3	6.6	9.9	Operating Flow Capacity:					
200 ft	61.0	3.0	6.1	9.1	<i>anywhere in shaded area.</i>					
180 ft	54.9	2.8	5.6	8.3	<i>Air consumption: pick closest</i>					
160 ft	48.8	2.5	5.0	7.6	<i>cell to your flow &amp; pressure match</i>					
140 ft	42.7	2.3	4.5	6.8						
120 ft	36.6	2.0	4.0	6.0	8.0	10.0	12.0	14.0	16.0	
100 ft	30.5	1.7	3.5	5.2	7.0	8.7	10.4	12.2	13.9	
80 ft	24.4	1.5	3.0	4.4	5.9	7.4	8.9	10.4	11.8	
60 ft	18.3	1.2	2.4	3.7	4.9	6.1	7.3	8.5	9.8	
40 ft	12.2	1.0	1.9	2.9	3.8	4.8	5.8	6.7	7.7	
20 ft	6.1	0.7	1.4	2.1	2.8	3.5	4.2	4.9	5.6	
10 ft	3.0	0.6	1.1	1.7	2.3	2.9	3.4	4.0	4.6	
<b>GPM</b>		<b>3</b>	<b>6</b>	<b>9</b>	<b>12</b>	<b>15</b>	<b>18</b>	<b>21</b>	<b>24</b>	
lpm		11	23	34	45	57	68	79	91	

Example 1 (gravity fill): 9 gpm @ 20 ft TDH requires 2.1 SCFM

\*Note for flow induction: add 0.3 x gpm to the air consumption.

Example 2 (flow induced): 9 gpm @ 20 ft. Since 9 gpm @ 20 ft uses 2.1 scfm, then add 0.3 scfm per gpm to that air consumption; in this case 9 x 0.2 scfm or 2.7 scfm. The total consumption is 2.1 + 2.7 = 4.8 scfm.